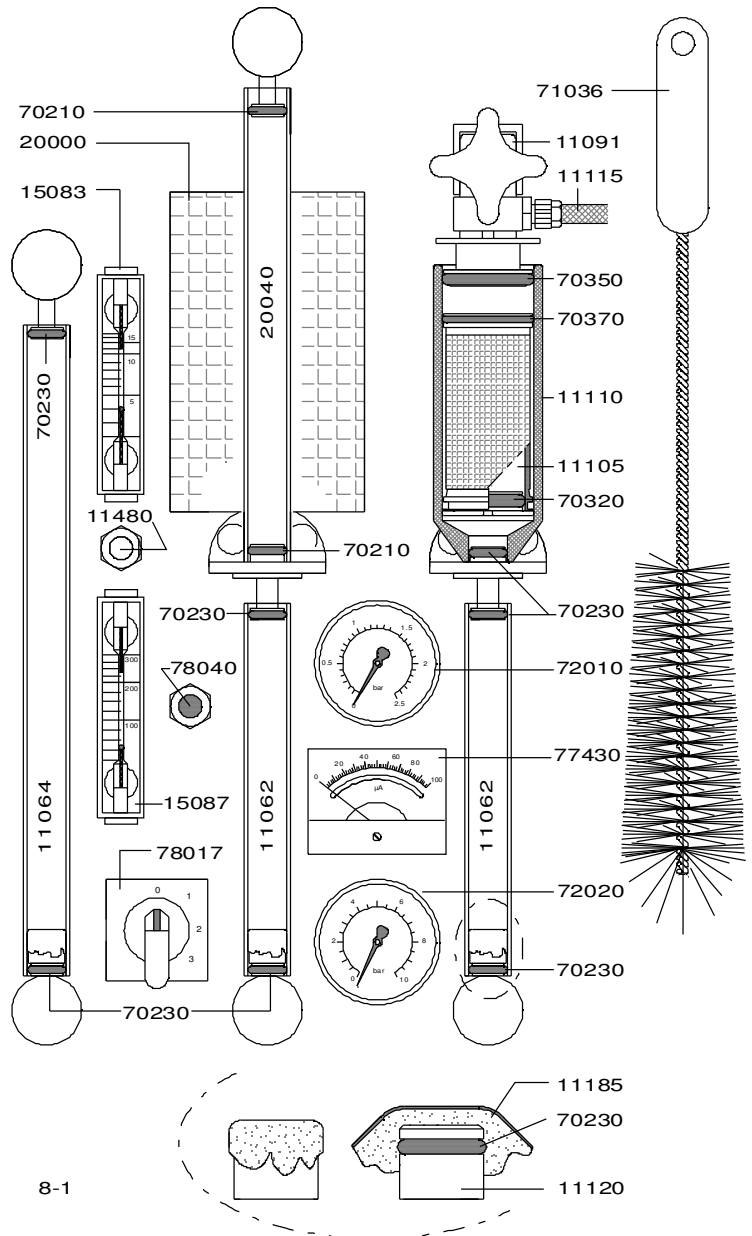


## 5 MISCELLANEOUS

### 5.1 Ordering numbers

#### Front side:

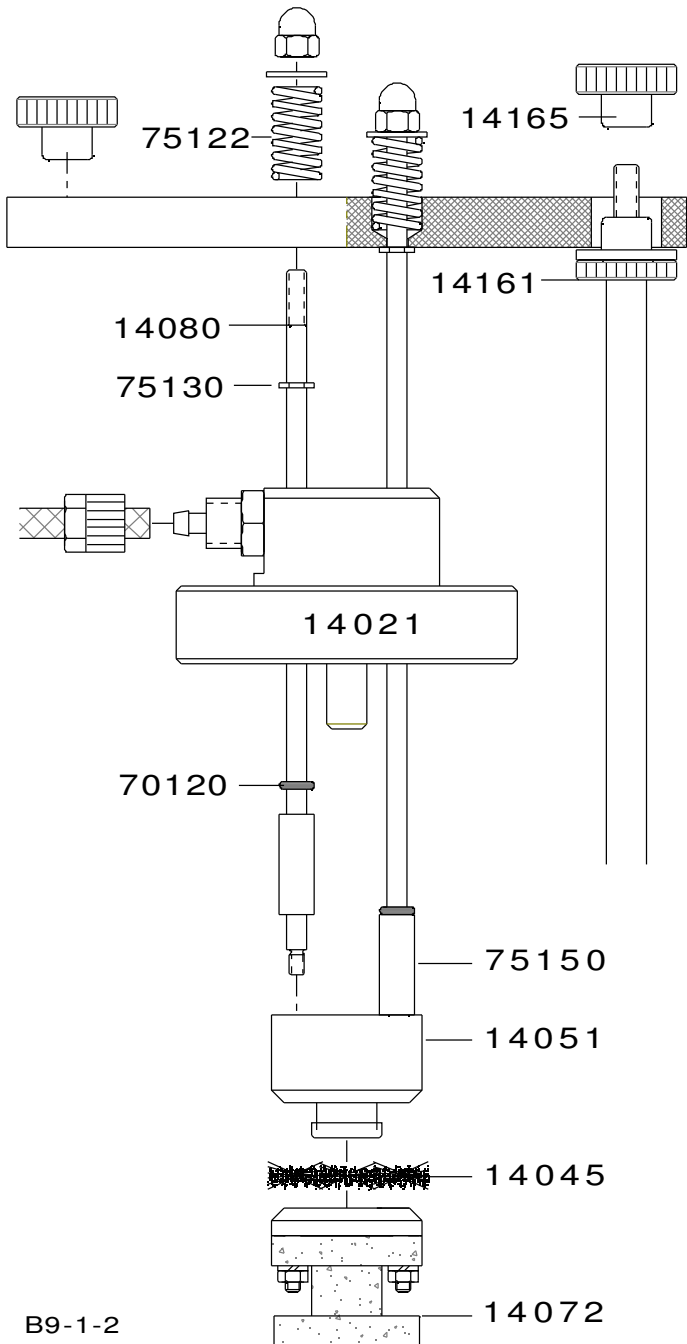
11062	Reagent tube
11064	Reagent tube
11091	Dust trap mechanism
11105	Metal dust filter
11110	Filter housing
11115	Furnace outlet tube
11120	Paper filter holder
11185	Paper filters
11480	Adjustable restrictor
15083	Gas flow indicator 15 l/h
15087	Gas flow indicator 300 l/h
20000	Catalyst furnace
20040	Catalyst tube
70210	O-ring
70230	O-ring
70320	O-ring
70370	O-ring
71036	Cleaning brush for filter
72010	Pressure gauge
72020	Pressure gauge
77430	Panel meter 100 $\mu$ A
78010	Mains power switch
78040	Button for leakage test



## Induction furnace cleaning assembly:

**14014 Complete furnace cleaning assembly unit:**

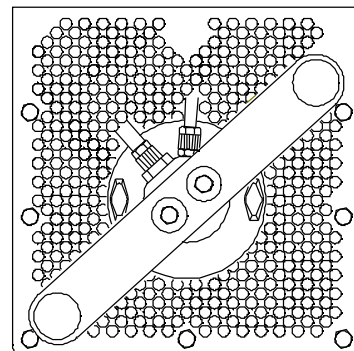
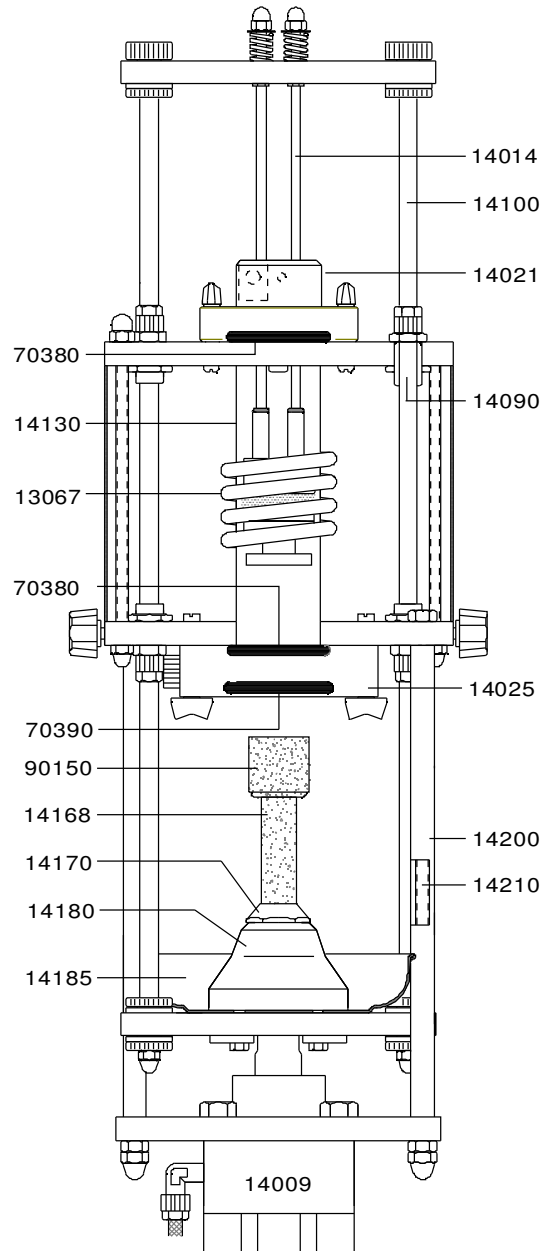
- 14021 Upper furnace lock
- 14045 Cleaning brush for combustion tube
- 14051 Brush holder
- 14072 Ceramic heat shield for brush
- 14080 Cleaning mechanism rod
- 14161 Lower knurled nut
- 14165 Upper knurled nut
- 70120 O-ring
- 75122 Spring
- 75130 Safety spring
- 75150 Metal tube



B9-1-2

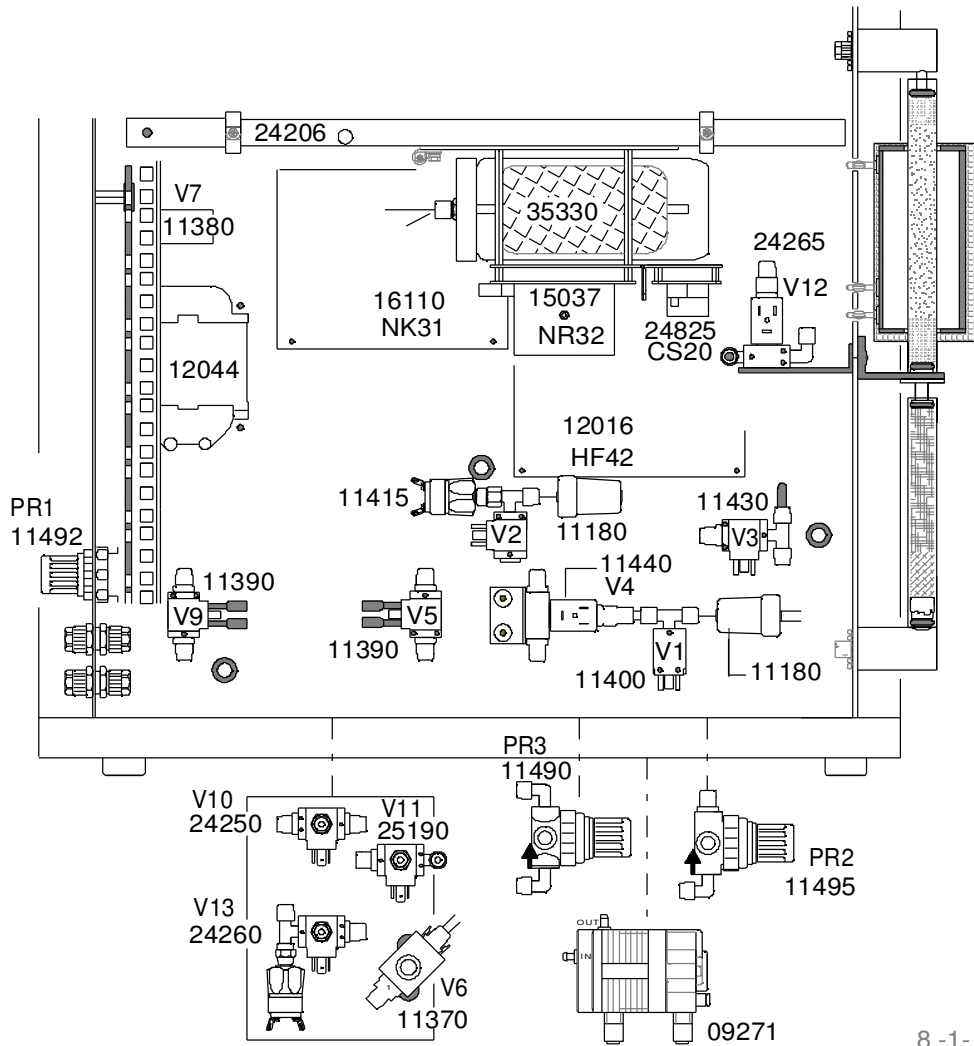
## Induction furnace:

- 13067 Combustion coil
- 14009 Pneumatic cylinder for furnace lift
- 14014 Complete furnace cleaning assembly unit
- 14021 Upper furnace lock
- 14025 Lower furnace lock
- 14090 Bearing
- 14100 Mounting rod
- 14130 Combustion tube
- 14168 Pedestal
- 14170 Pedestal mount
- 14180 Furnace closure
- 14185 Tray
- 14200 Metal tube
- 14210 Threaded rod
- 70380 O-ring
- 70390 O-ring
- 71010 Cleaning brush for pedestal
- 71031 Cleaning brush for radiation shield
- 90150 Crucibles



8-1-3

Left side:

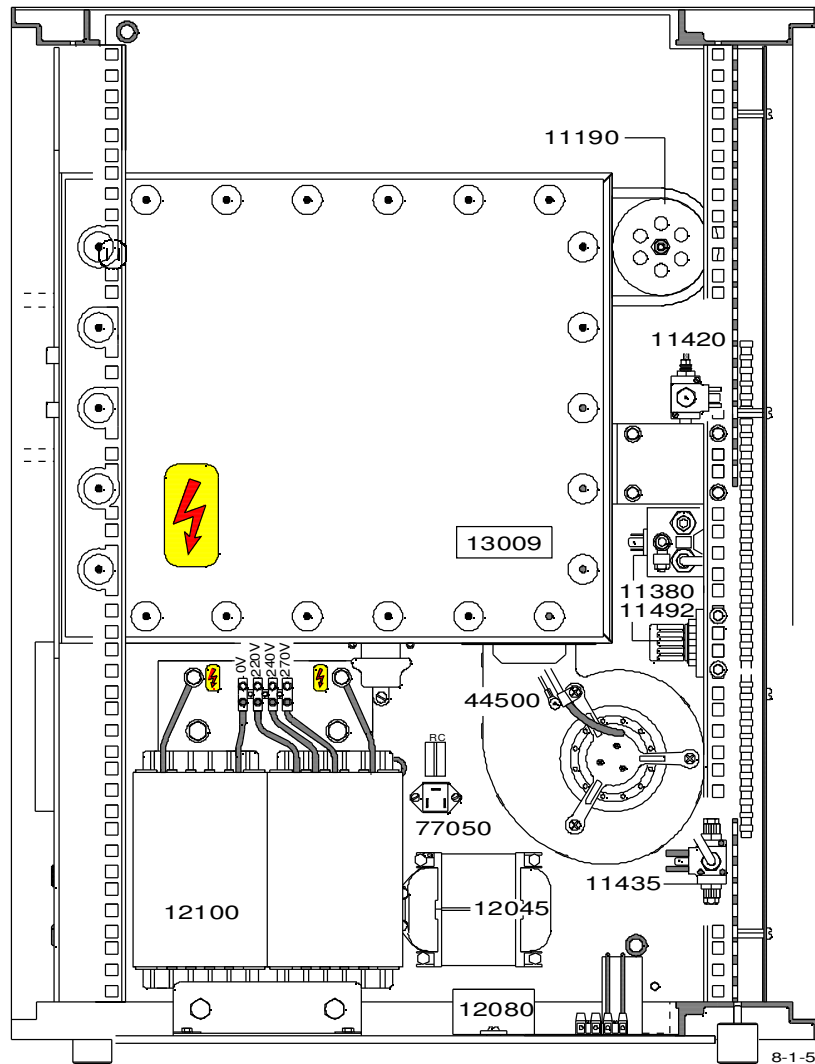


8 -1- 4

- |       |       |  |
|-------|-------|--|
| 09271 |       | Gas pump                                   |
| 11180 |       | Dust filter cartridge                      |
| 11370 | V6    | Gas flow regulating valve                  |
| 11390 | V5+V9 | Oxygen solenoid valve                      |
| 11400 | V1    | Outflow valve                              |
| 11415 | V2    | Oxygen lance valve                         |
| 11430 | V3    | Combustion chamber valve                   |
| 11440 | V4    | Bypass solenoid valve                      |
| 11490 | PR3   | Pressure regulator                         |
| 11492 | PR1   | Inlet pressure regulator                   |
| 11495 | PR2   | Purge pressure regulator                   |
| 12044 |       | Transformer                                |
| 24250 | V10   |  |
| 25190 | V11   | Energised for resistance furnace operation |
| 24260 | V13   |  |
| 24265 | V12   |  |
| 35330 |       | Attenuator                                 |

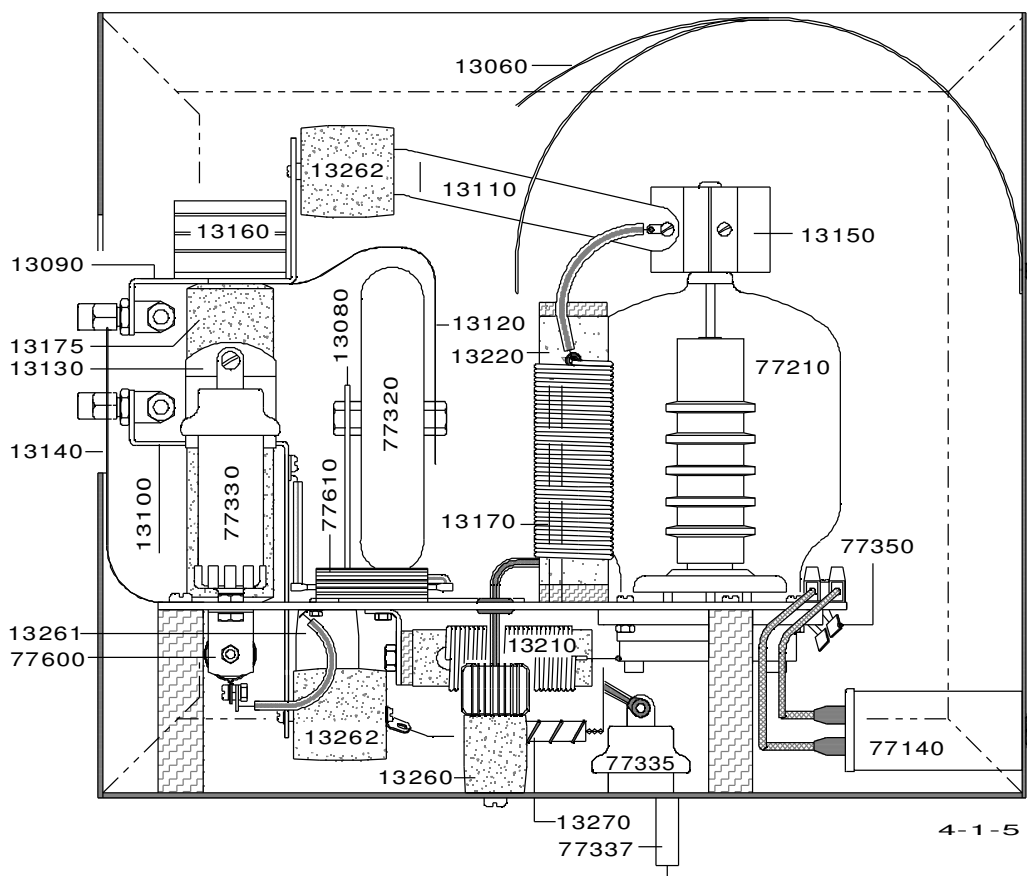
## Right side:

### ventilation



- 11190 Exhaust muffler
- 11380 Pneumatic valve
- 11420 Coil cooling solenoid valve
- 11440 Pressure switch-over solenoid valve
- 11492 Pressure regulator
- 12045 Transformer
- 12080 Rectifier
- 12100 Transformer
- 44500 Centrifugal blower
- 77050 TRIAC
- 77135 Capacitor

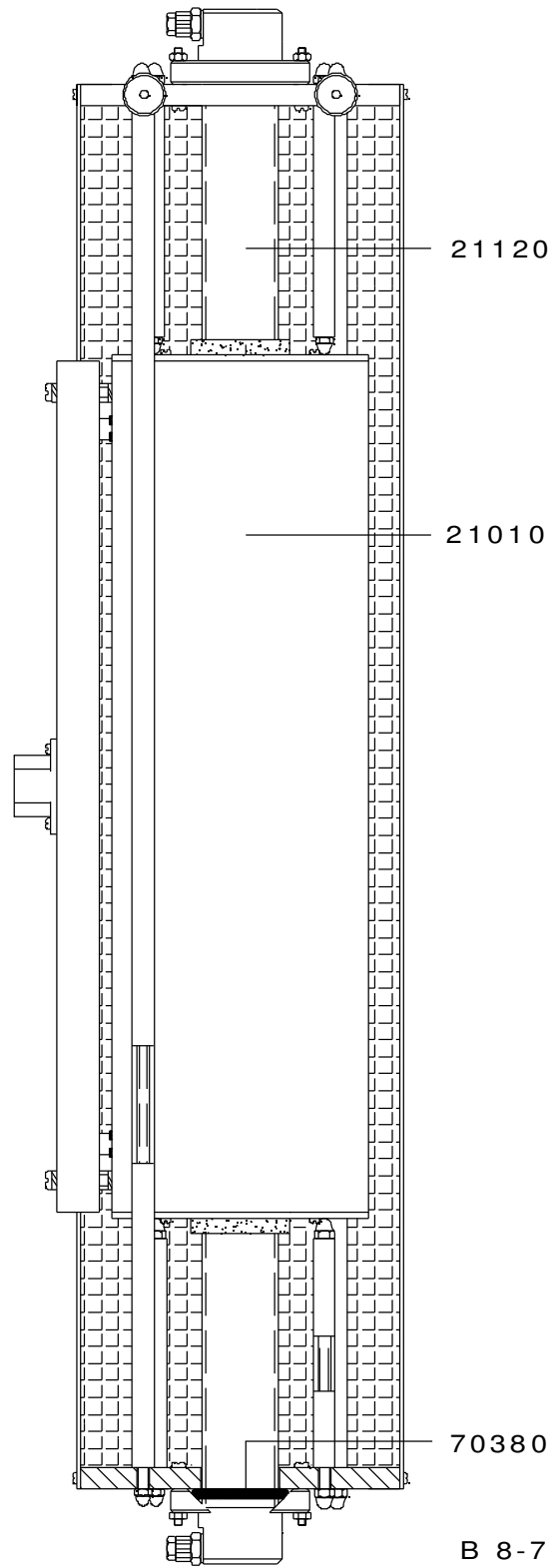
## Oscillating circuit:



13080	Capacitor support	77140	HF - filter 250V
13090	Upper coil connector	77210	Oscillator tube
13100 q	Lower coil connector	77320	Capacitor
13110	Anode connector	77330	Capacitor
13120	Capacitor connector	77335	Capacitor
13130	Capacitor connector	77350	Capacitor
13140	Ground connector	77600	Resistor
13150	Anode heat sink	77610	Resistor
13160	Coil heat sink		
13170	Radiation shield		
13175	Insulator		
13210	Grid choke		
13220	Anode choke		
13250	Chassis support		
13260	High voltage filter		
13261	Capacitor		
13262	Capacitor		
13270	Resistor		

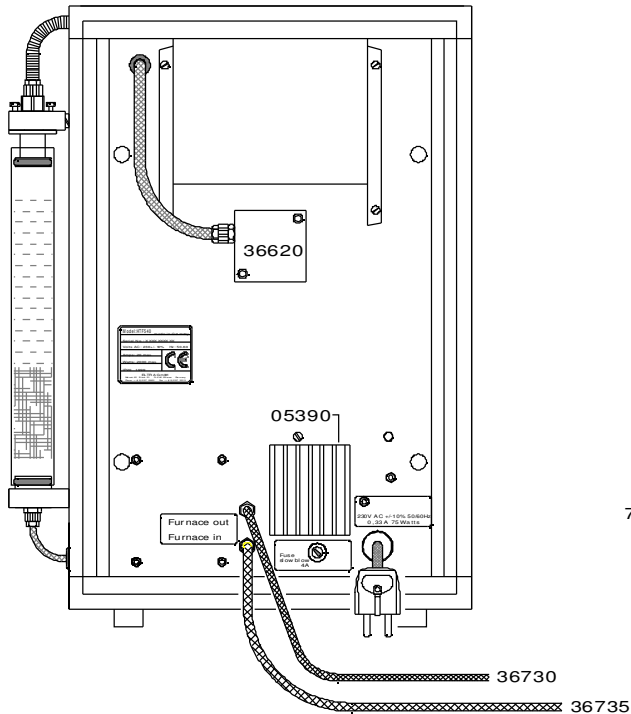
# Oxygen purification furnace:

- 21010 Heater section
- 21120 Quartz tube
- 70380 O - Ring

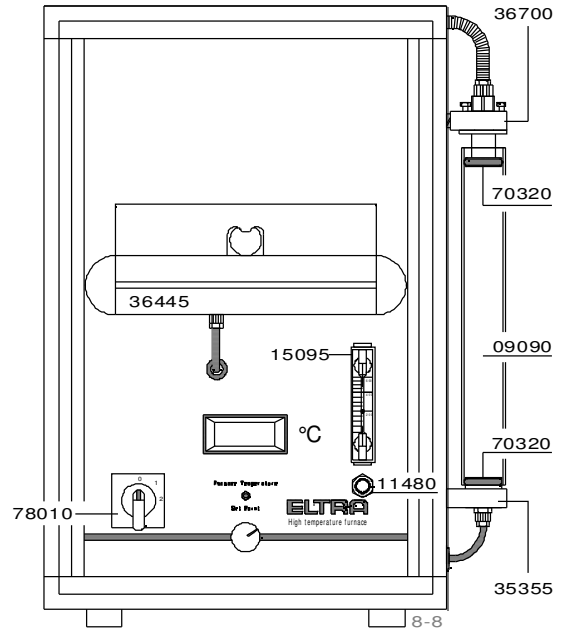


## Resistance furnace:

### Rear side:

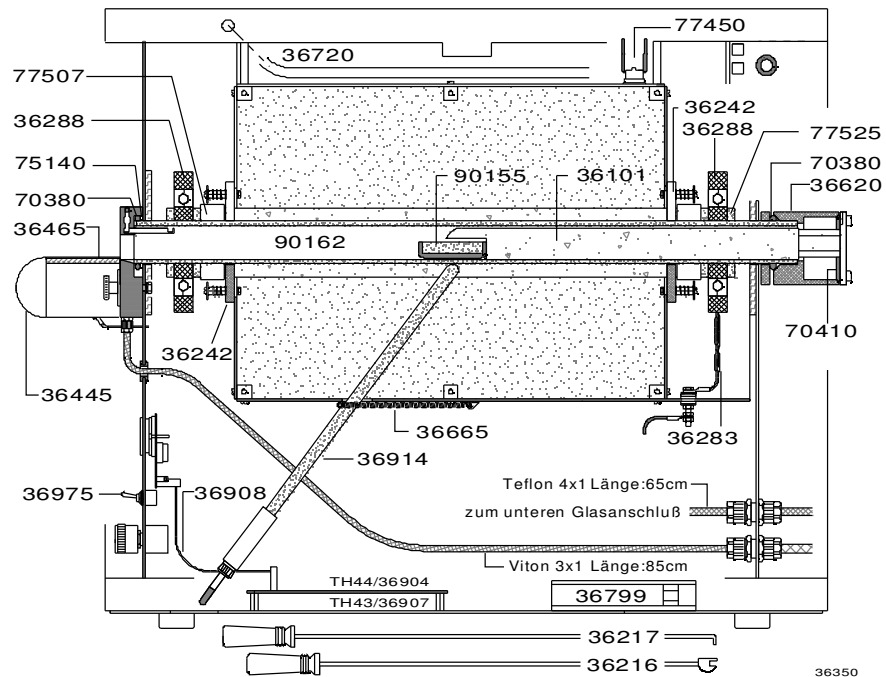


### Front side:



09090	Reagent tube
11480	Adjustable restrictor
15095	Flow display 600l/h
35355	Lower reagent tube connector
36445	Platform
36700	Upper reagent tube connector
36730	Teflon tube
36735	PVC tube
70320	O-ring
78010	Mains power switch

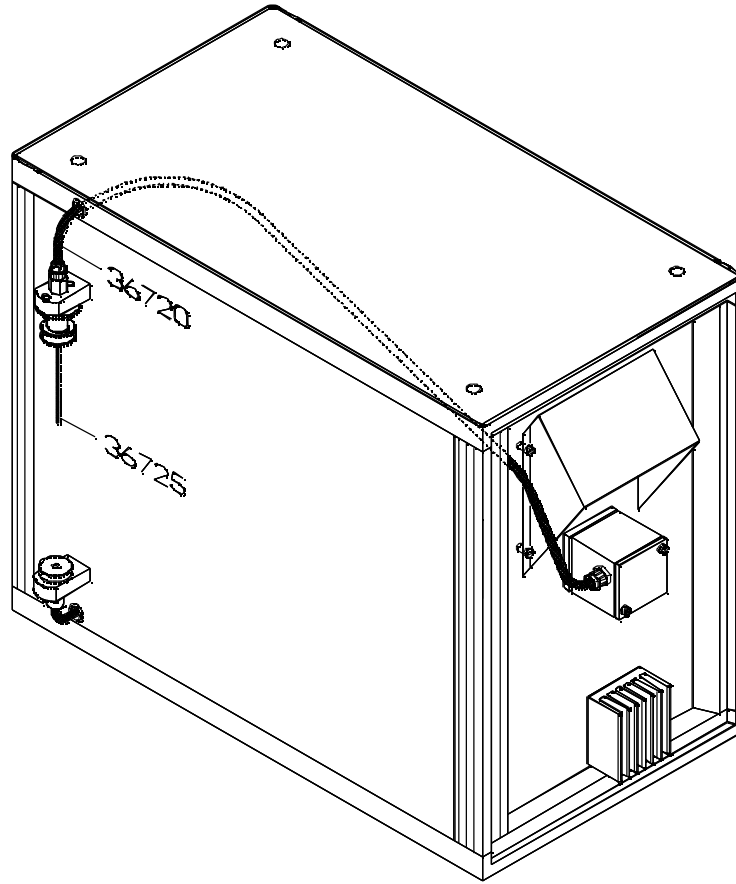
## Resistance furnace:



- 36101 Boat stop
- 36216 Combustion boat insertion stick
- 36217 Combustion boat removing stick
- 36242 Ceramic plate
- 36283 Heating element connector
- 36288 Heating element connector
- 36445 Front panel for the combustion boat
- 36465 Ceran plate
- 36620 Dust trap
- 36665 Spring
- 36799 Cooling fan
- \* 36907 Temperature control board TH 43 / TH 44
- 36908 Cable for TH 43 / TH 44
- 36914 Thermocouple
- 36975 LCD – display DVM 2
- 70380 O-ring
- 70410 O-ring
- 75140 Coil spring washer
- 77450 Temperature switch
- 77507 Ceramic tube
- 77525 Heating elements, 4 pcs
- 90155 Combustion boats
- 90162 Combustion tube

**\* Note:**

- 36907 Temperature control board TH 43 is an older version.
- 36904 Temperature control board TH 44 is a newer version and fully compatible.



36720 Tube black  
36725 Teflon tube for 36720