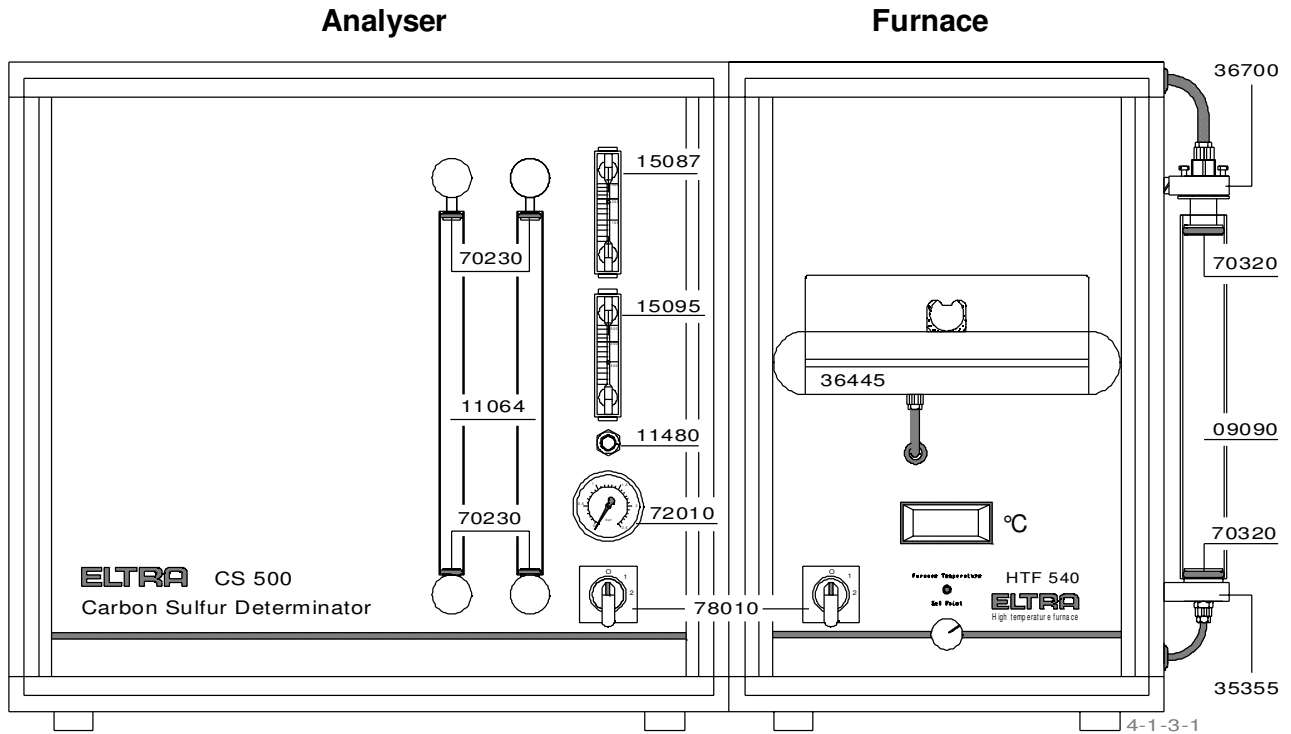


5 MISCELLANEOUS

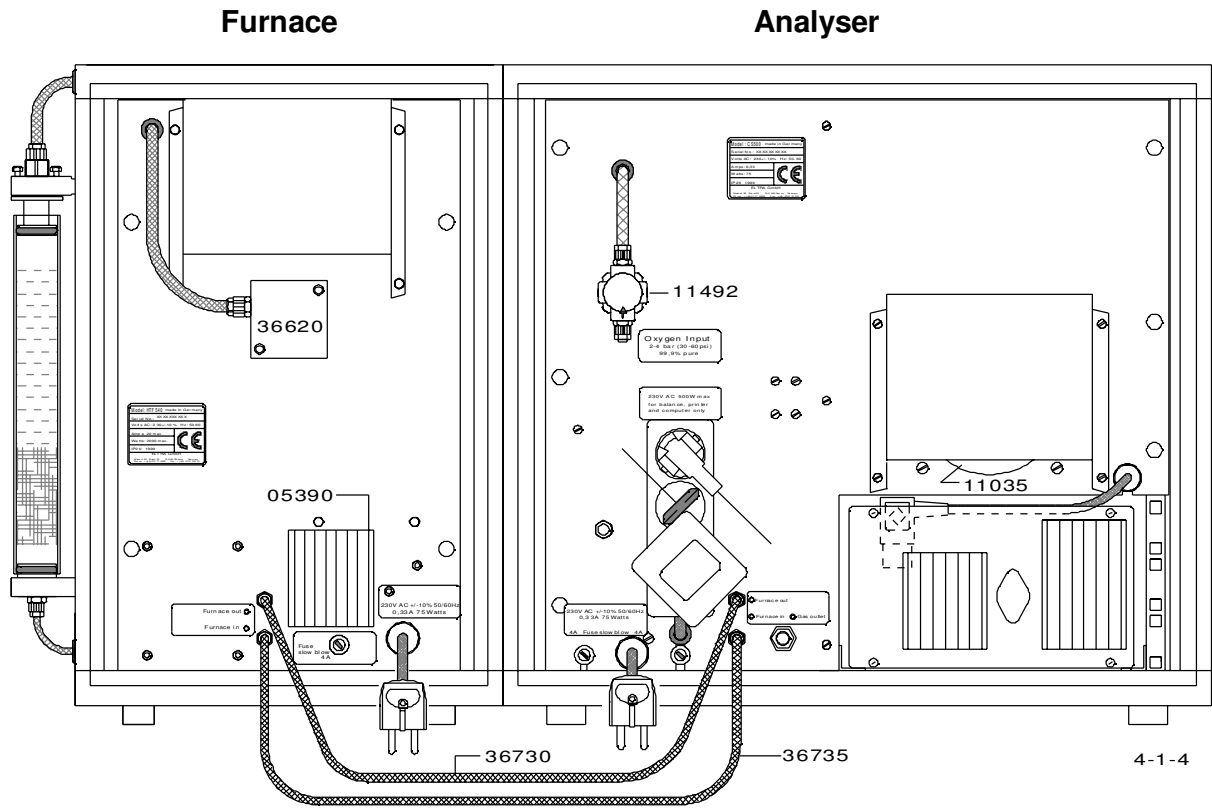
5.1 Ordering numbers

Front side



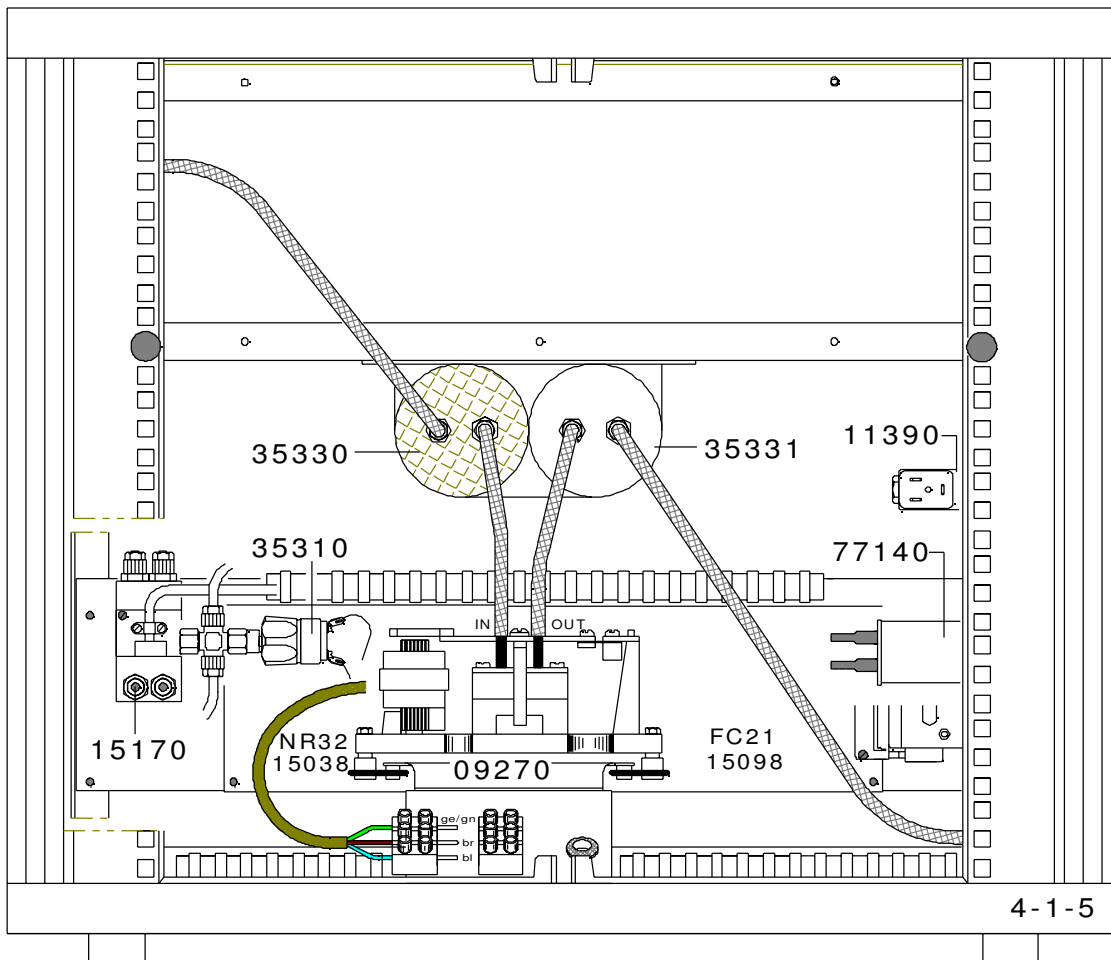
09090	Reagent tube
11064	Reagent tube
11480	Adjustable restrictor
15087	Flow display 300l/h
15095	Flow display 600l/h
35355	Lower reagent tube connector
36445	Platform
36700	Upper reagent tube connector
70230	O-ring
70320	O-ring
72010	Pressure gauge
78010	Main power switch

Rear side



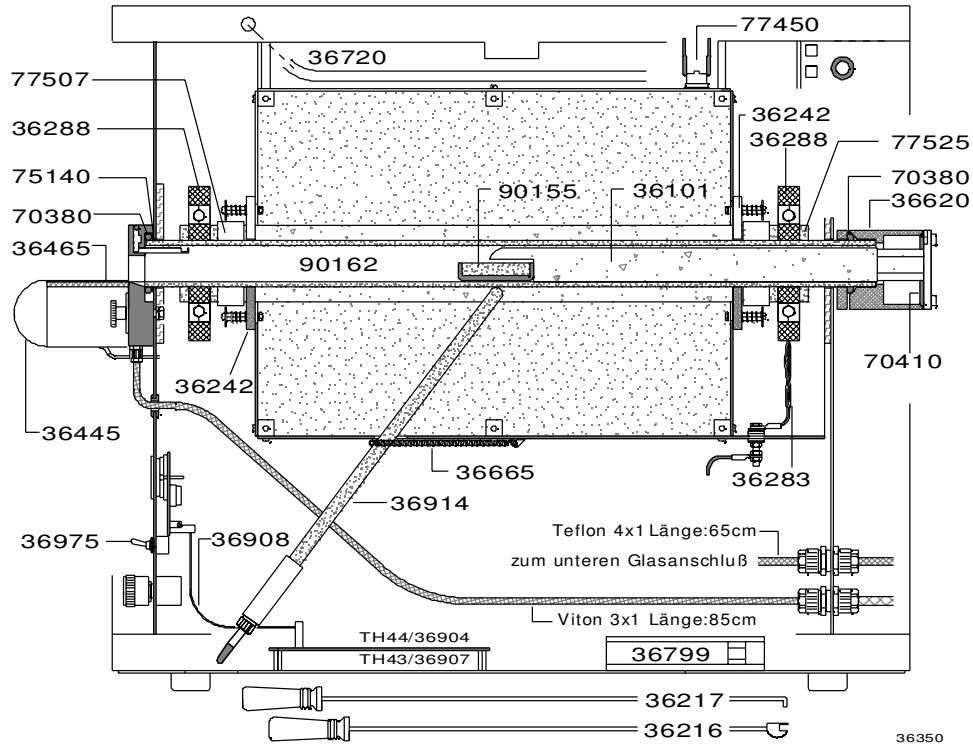
- 11035 Cooling fan
- 11492 Pressure regulator
- 36730 Viton tube
- 36735 PVC tube
- 36799 Cooling fan

Analyser



- 09270 Gas pump
- 11390 Oxygen solenoid valve
- 15038 Pump control board NR 32
- 15098 Flow controller FC 21
- 35061 Pump support
- 35310 Pressure switch
- 35330 Attenuator volume
- 35331 Attenuator volume
- 77140 Main power filter

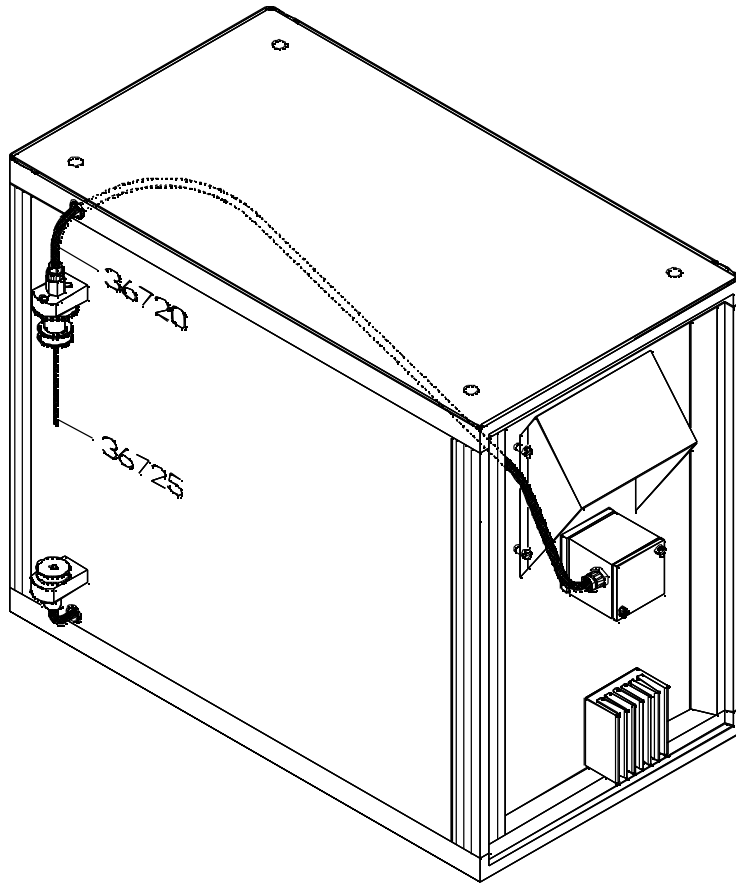
Furnace



- 36101 Boat stop
- 36216 Combustion boat insertion stick
- 36217 Combustion boat removing stick
- 36242 Ceramic plate
- 36283 Heating element connector
- 36288 Heating element connector
- 36445 Front panel for the combustion boat
- 36465 Ceran plate
- 36620 Dust trap
- 36665 Spring
- 36799 Cooling fan
- 36907 Temperature control board TH 43 / TH 44 *
- 36908 Cable for TH 43 / TH 44
- 36914 Thermocouple
- 36975 LCD – display DVM 2
- 70380 O-ring
- 70410 O-ring
- 75140 Coil spring washer
- 77450 Temperature switch
- 77507 Ceramic tube
- 77525 Heating elements, 4 pcs
- 90155 Combustion boats
- 90162 Combustion tube

*** Note:**

- 36907 Temperature control board TH 43 is an older version
- 36904 Temperature control board TH 44 is a newer version and fully compatible



36720 Teflon tube
36725 Teflon tube for 36720