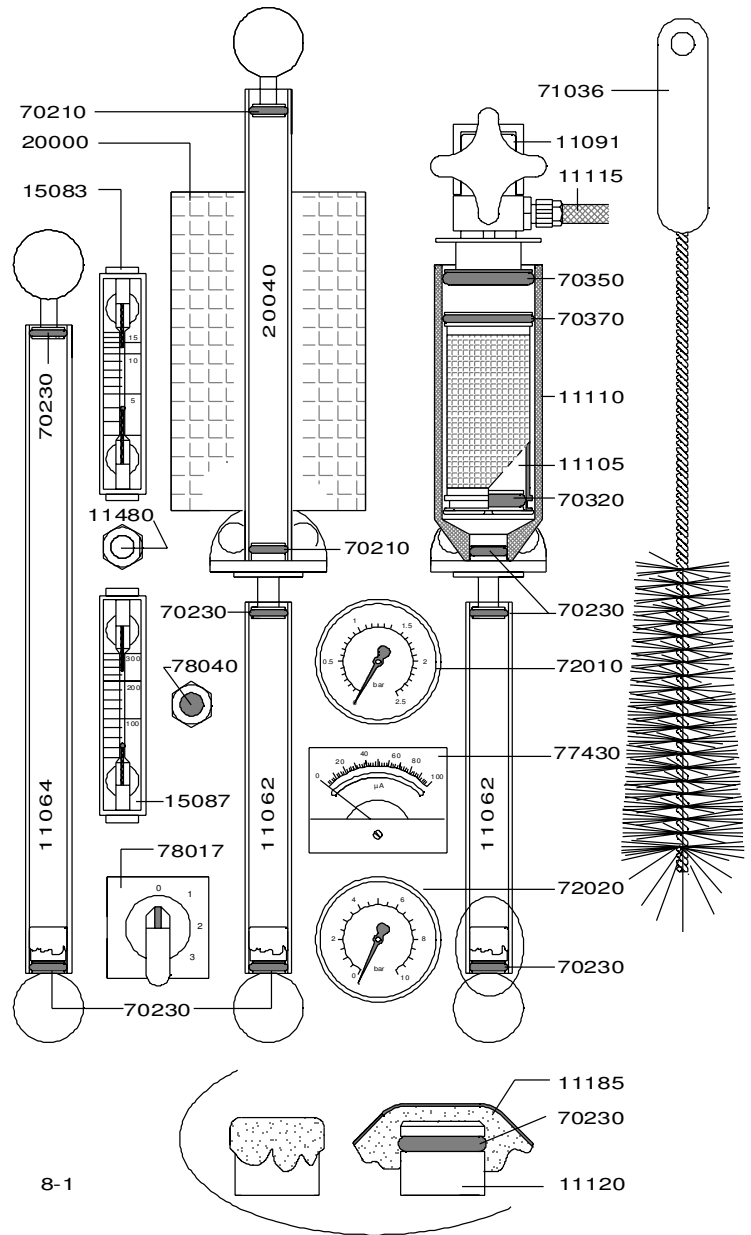


5 MISCELLANEOUS

5.1 Ordering numbers

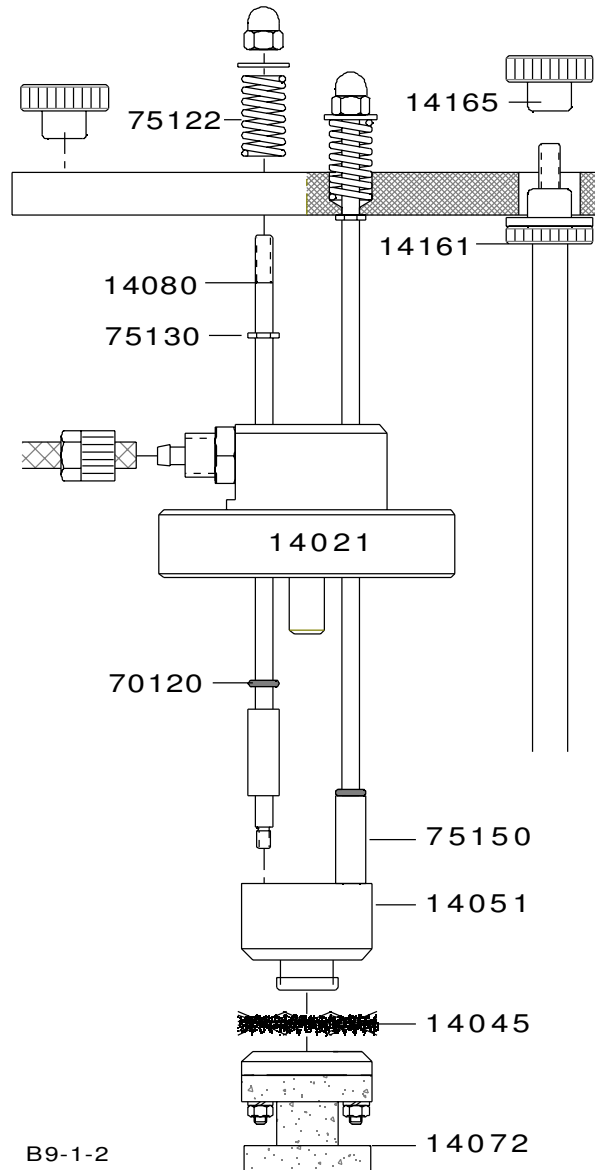
Front side

- 11062 Reagent tube
- 11064 Reagent tube
- 11091 Dust trap mechanism
- 11105 Metal dust filter
- 11110 Filter housing
- 11115 Furnace outlet tube
- 11120 Paper filter holder
- 11185 Paper filters
- 11480 Adjustable restrictor
- 15083 Gas flow indicator 15 l/h
- 15087 Gas flow indicator 300 l/h
- 20000 Catalyst furnace
- 20040 Catalyst tube
- 70210 O-ring
- 70230 O-ring
- 70320 O-ring
- 70350 O-ring
- 70370 O-ring
- 71036 Cleaning brush for filter
- 72010 Pressure gauge
- 72020 Pressure gauge
- 77430 Panel meter 100 μ A
- 78010 Main power switch
- 78040 Button for leakage test



8-1

Furnace cleaning

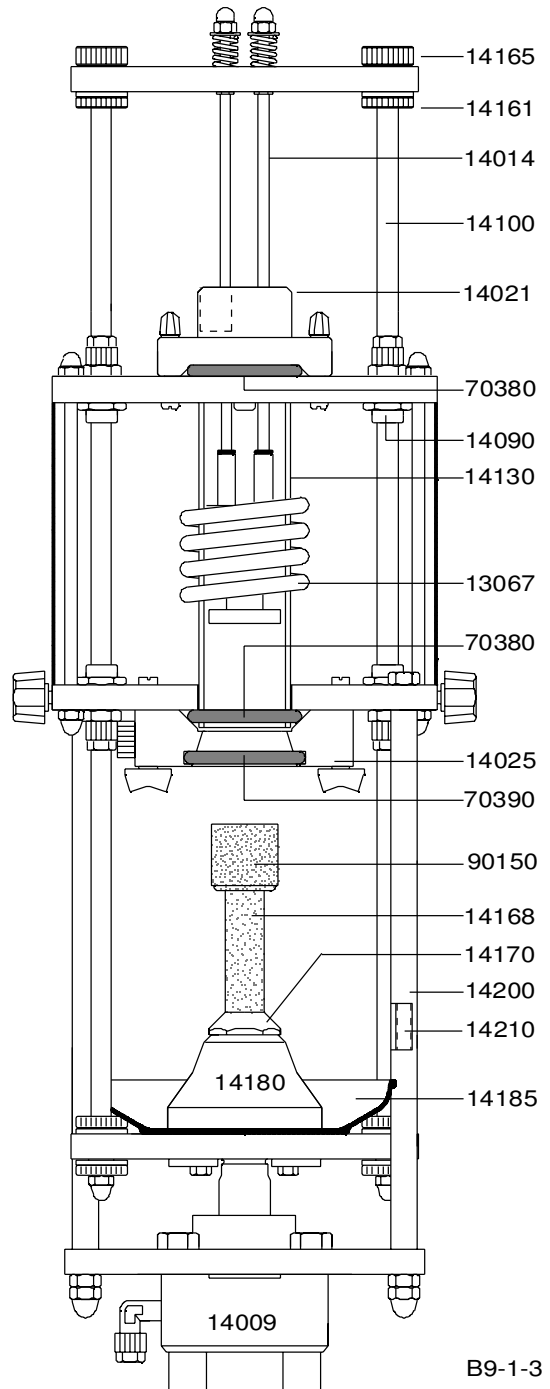
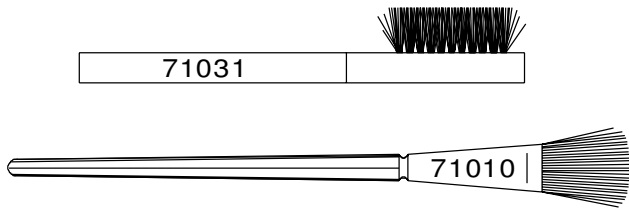


14014 Complete furnace cleaning assembly unit

- 14021 Upper furnace lock
- 14045 Cleaning brush for combustion tube
- 14051 Brush holder
- 14072 Ceramic heat shield for brush
- 14080 Cleaning mechanism rod
- 70120 O-ring
- 75122 Spring
- 75130 Safety spring
- 75150 Metal tube

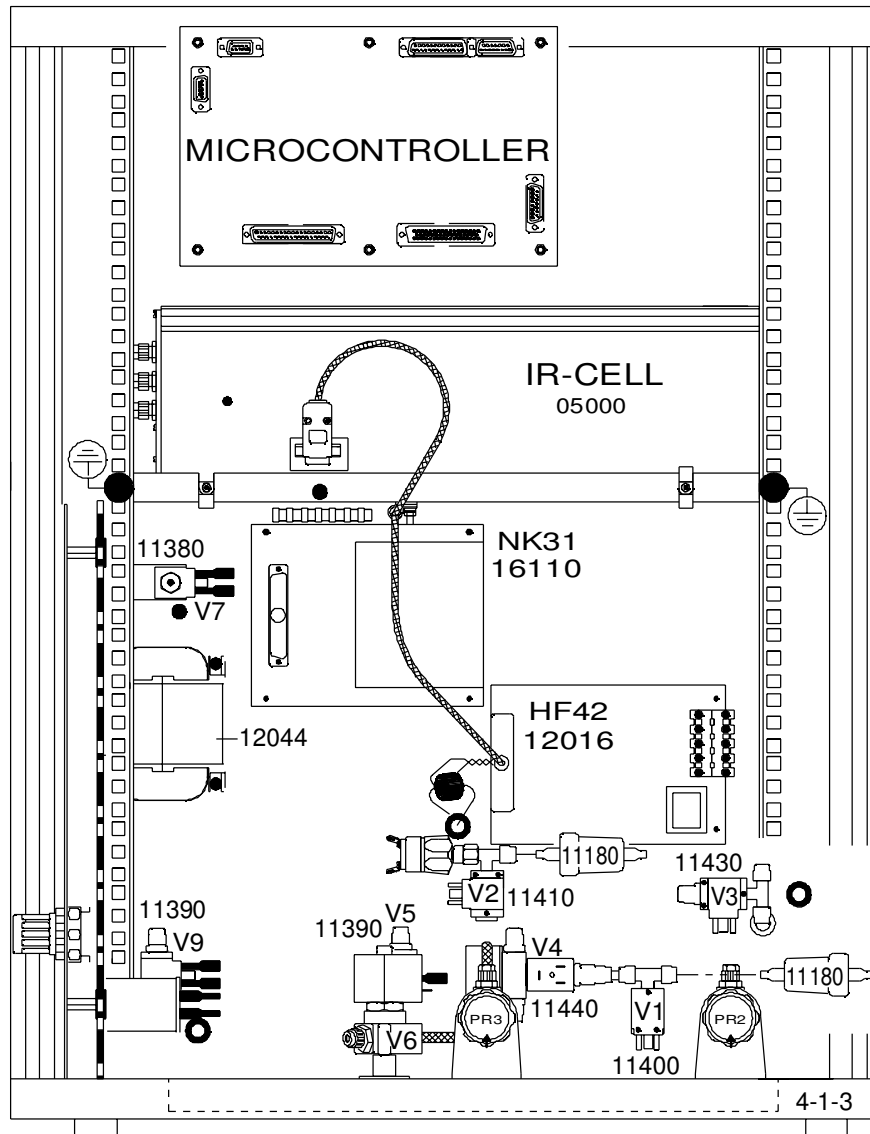
Furnace

- 13067 Combustion coil
- 14009 Pneumatic cylinder for furnace lift
- 14021 Upper furnace lock
- 14025 Lower furnace lock
- 14090 Bearing
- 14100 Mounting rod
- 14130 Combustion tube
- 14168 Pedestal
- 14170 Pedestal mount
- 14180 Furnace closure
- 14185 Tray
- 14200 Metal tube
- 14210 Threaded rod
- 70380 O-ring
- 70390 O-ring
- 71010 Cleaning brush for pedestal
- 71031 Cleaning brush for radiation shield
- 90150 Crucibles



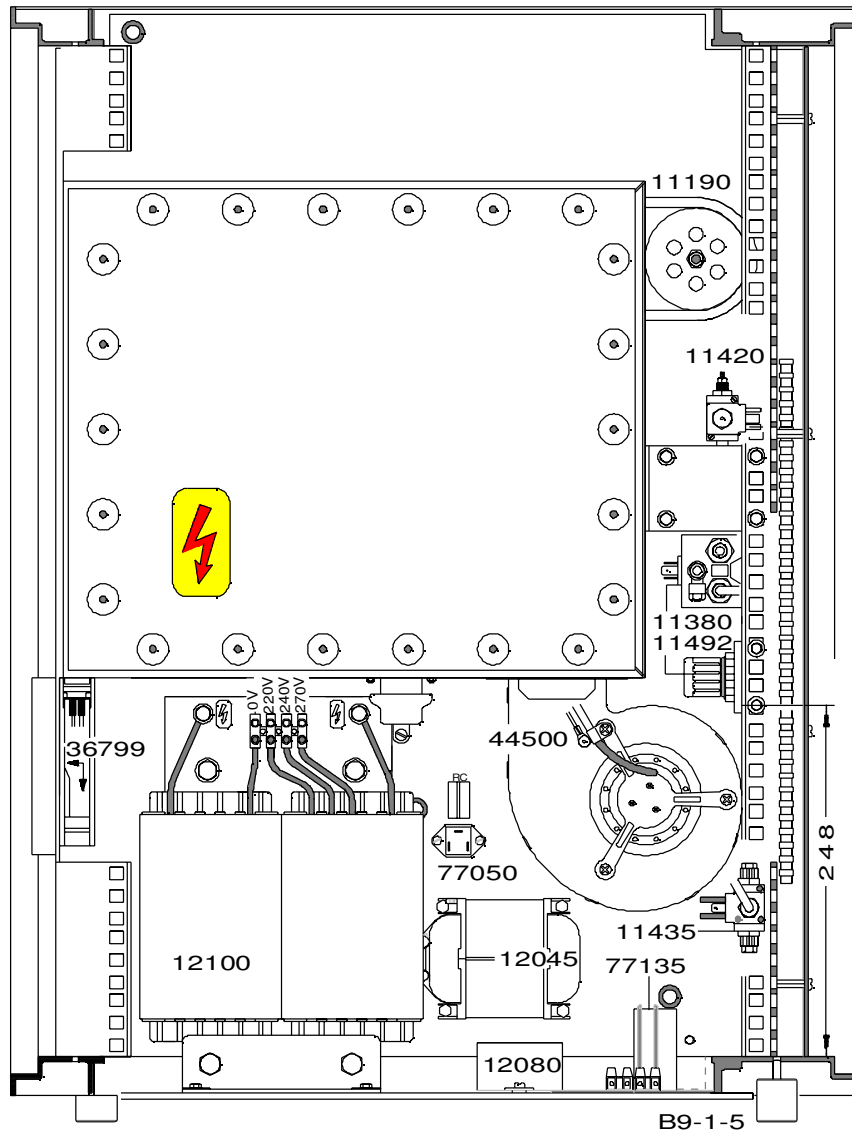
B9-1-3

**Left side
Separator plate side**



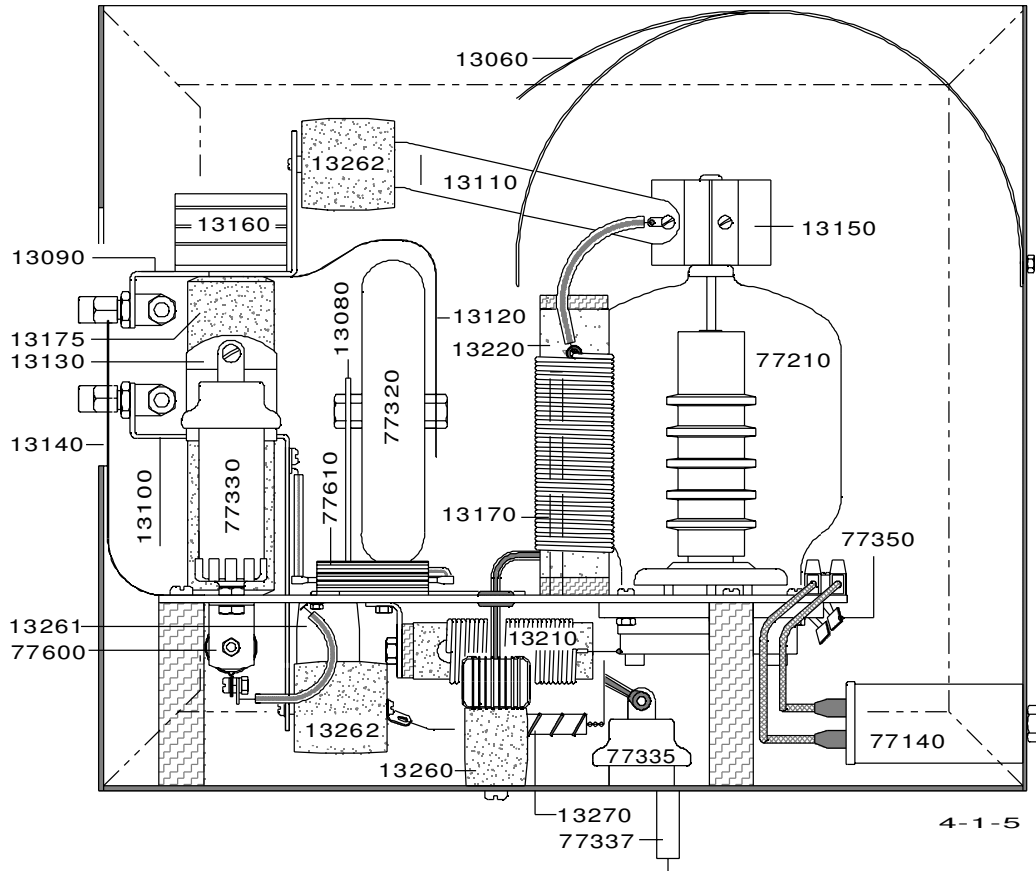
- | | |
|-------|--|
| 05000 | IR-cell |
| 11180 | Dust cartridge |
| 11390 | Oxygen solenoid valve |
| 11400 | Pressure outlet solenoid valve |
| 11415 | Oxygen stop solenoid valve |
| 11430 | Purge solenoid valve |
| 11440 | Bypass solenoid valve |
| 12016 | Gas flow and furnace control board HF 42 |
| 12044 | Transformer |
| 16100 | Power supply board NK 31 |

**Right side
Ventilation**



- 11190 Exhaust muffler
- 11380 Pneumatic valve
- 11420 Coil cooling solenoid valve
- 11440 Pressure switch-over solenoid valve
- 11492 Pressure regulator
- 12045 Transformer
- 12080 Rectifier
- 12100 Transformer
- 44500 Centrifugal blower
- 77050 TRIAC
- 77135 Capacitor

Oscillating circuit



13080	Capacitor support	77140	HF - filter 250V
13090	Upper coil connector	77210	Oscillator tube
13100	Lower coil connector	77320	Capacitor
13110	Anode connector	77330	Capacitor
13120	Capacitor connector	77335	Capacitor
13130	Capacitor connector	77350	Capacitor
13140	Ground connector	77600	Resistor
13150	Anode heat sink	77610	Resistor
13160	Coil heat sink		
13170	Radiation shield		
13175	Insulator		
13210	Grid choke		
13220	Anode choke		
13250	Chassis support		
13260	High voltage filter		
13261	Capacitor		
13262	Capacitor		
13270	Resistor		