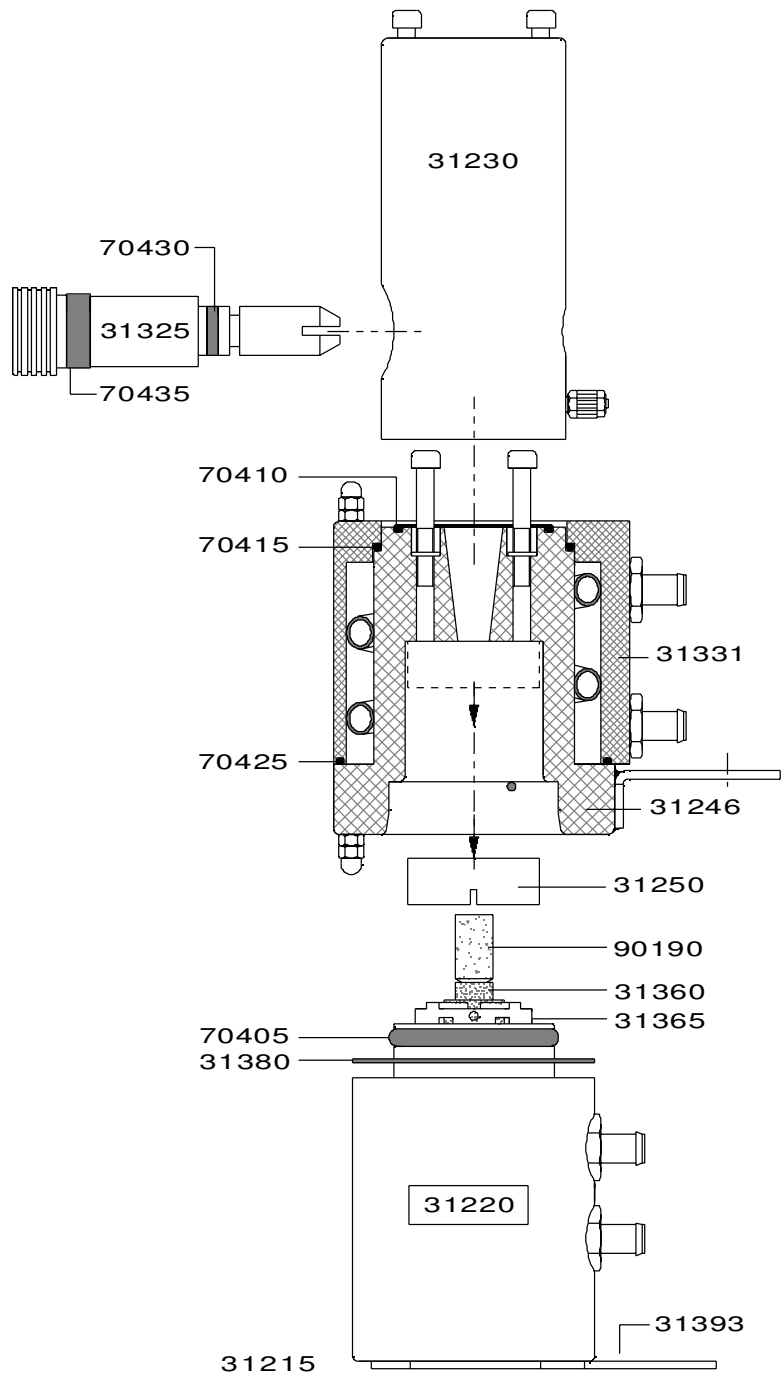
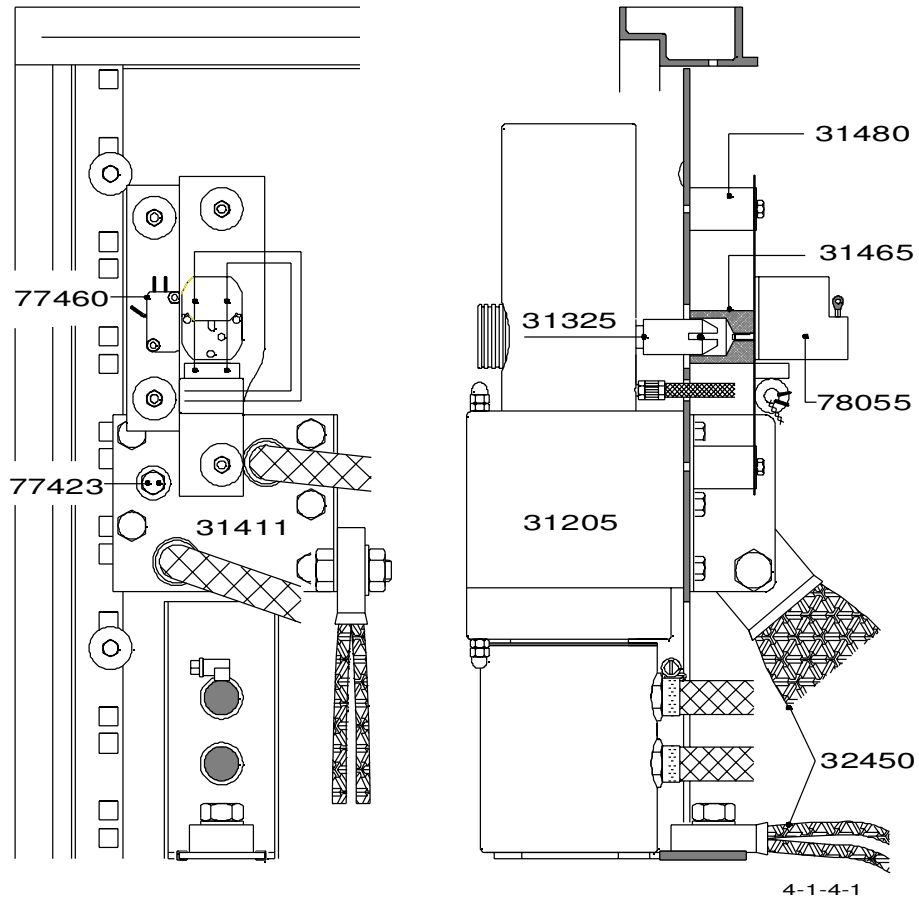


FURNACE as from Ser. No. 0725

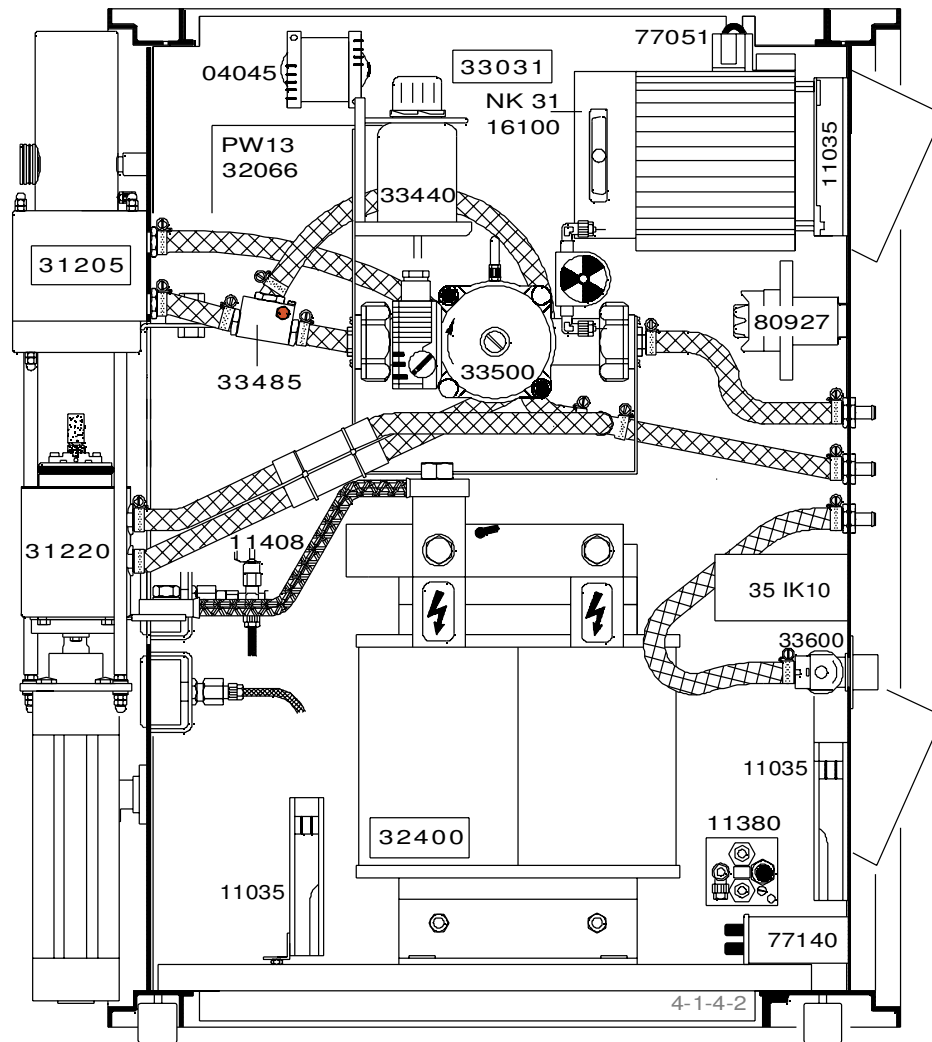
- 31230 Upper furnace part
- 31246 Combustion chamber
- 31250 Upper electrode insert
- 31325 Sample drop mechanism
- 31331 Cooling cover
- 31360 Graphite tip
- 31365 Graphite tip holder
- 31380 Isolating ring
- 31393 Lower power connector
- 31220 Lower furnace assembly
- 70405 O – ring
- 70410 O – ring
- 70415 O – ring
- 70425 O – ring
- 70430 O – ring
- 70435 O – ring
- 90190 Graphite crucible



Analyser right-hand side

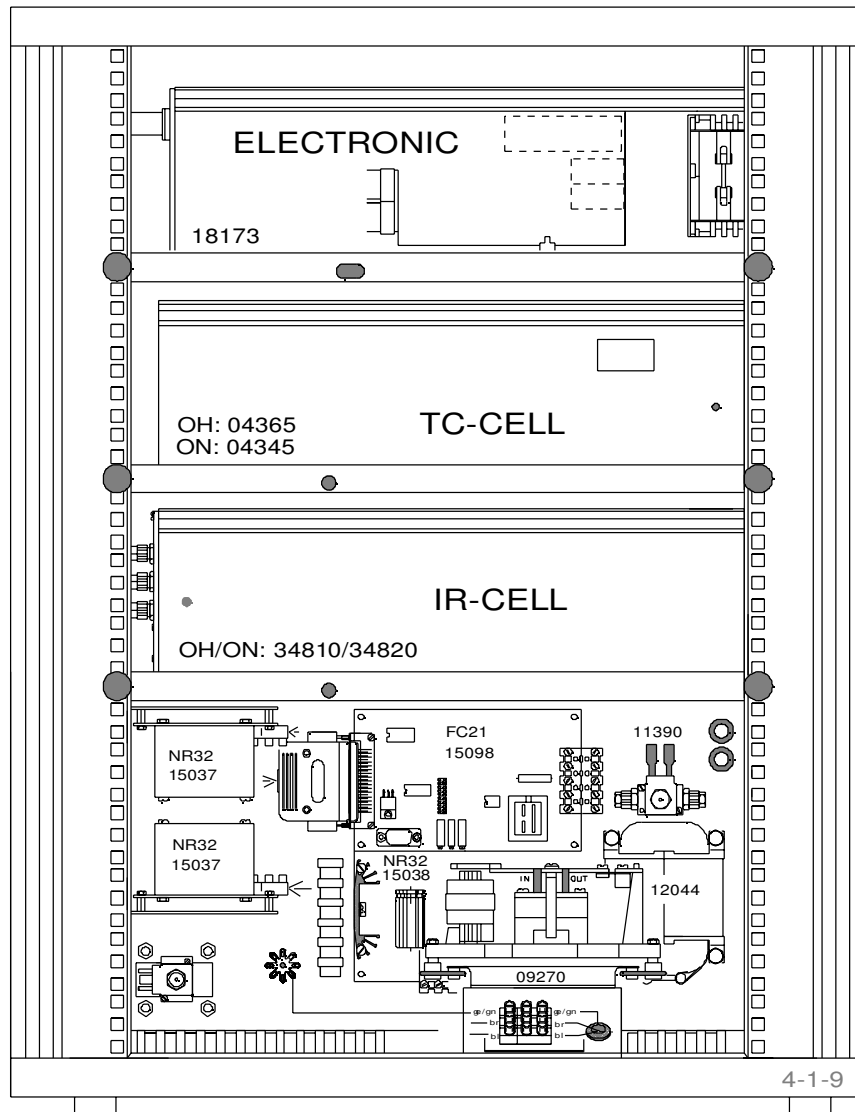


- 31325 Sample drop mechanism
- 31396 Lower furnace part
- 31411 Upper power connector
- 31465 Eccentric wheel
- 31480 Support for motor bracket
- 32450 Brade
- 77423 Temperature sensor
- 77460 Micro switch
- 78055 Motor for sample drop



- | | |
|-------|----------------------------------|
| 04045 | Transformer |
| 11035 | Cooling fan |
| 11380 | Pneumatic valve for furnace lift |
| 11408 | Pressure switch |
| 16100 | NK 31 power supply board |
| 31205 | Upper furnace part |
| 31220 | Lower furnace part |
| 32400 | Transformer |
| 32066 | PW 13 furnace control board |
| 33440 | Water level tank |
| 33485 | Water temperature sensor |
| 33500 | Water pump |
| 77051 | Thyristor block |
| 77140 | HF filters 250V / 16 A |
| 80927 | Set of fuses |

Analyser left-hand side



| | |
|-------|--|
| 09270 | Gas pump |
| 11390 | Oxygen solenoid valve |
| 12044 | Transformer |
| 15037 | NR 32 Voltage stabiliser control board |
| 15038 | NR 32 Pump control board |
| 15098 | FC 21 Pump control board |