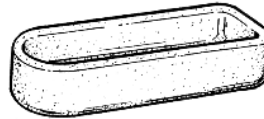
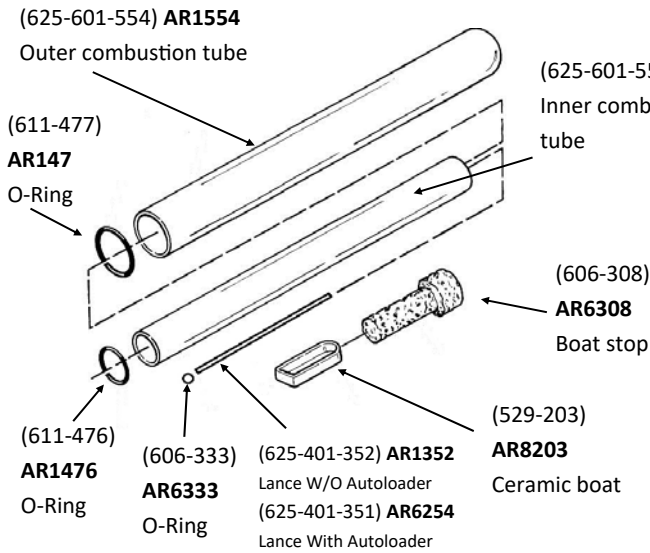


REFERENCE CARD: SC832 CONSUMABLES & SUPPLIES



You can place orders online — Visit us at WWW.ALPHARESOURCES.COM
Download certs, MSDS, obtain pricing, stock status, find new products, cross references and much more



(529-203) **AR8203**
Ceramic boats



(502-343) **AR2343**
Nickel boat liner



AR1358 (625-501-358)
Thermocouple



AR1871 (625-001-871)
Filter Tube

AR320 (773-320) O-Ring

AR5306 (775-306)
Screen filter with O-Ring

GENERAL COMBUSTION SUPPLIES

- (501-171-HAZ) AR171 Anhydrous 454g bottle
- (501-081) AR081 Glass wool 454g box
- (763-265) AR265 Glass wool 227g package
- (502-174-HAZ) AR2174 Alphasolve 500g bottle
- (768-980) AR980 Furnace particle filter
- (501-426) AR426 Combustion control for solids 454g bottle
- (501-427) AR427 Combustion control for liquids 454g bottle
- (769-608-HAZ) AR608 Antimony metal 200g bottle
- (502-321) AR321 Com-cat 250g bottle
- (528-203) AR8203 Combustion boat 500/box
- (769-610) AR610 F-CL Absorbent material 225g bottle
- (502-351) AR351 Halogen scrubber 50g bottle
- (502-343) AR2343 Nickel boat liner
- (502-301) AR2301 Tungsten trioxide powder 125g bottle
- (769-608-HAZ) AR608 Metal Trap Antimony 200g

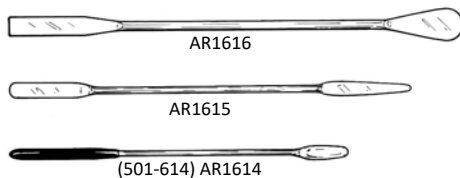
ORINGS

- (611-476) AR1476 Oring
- (611-477) AR1477 Oring
- (772-520) AR520 Oring
- (773-320) AR320 Oring
- (606-333) AR6333 Oring

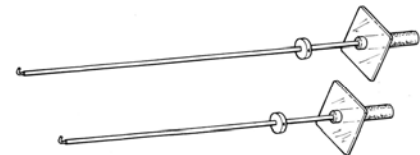
OPERATION ACCESSORIES

- (761-929) AR929 Crucible tongs
- (601-981) AR981 Wire brush
- (619-591-699) AR1699 In-Line Filter
- (775-306) AR5306 Secondary filter
- (501-241) AR241 Vacuum grease
- (502-007) AR2198 Tube cleaner
- (501-062) AR061 Boat puller

SPATULAS



(502-023) **AR473**
Reagent tube glass funnel



(501-062) AR061 Boat puller
(616-063) AR6063 Boat puller

Alpha Resources Inc Phone: 800-833-3083
PO 199, 3090 Johnson Rd Fax: 269-465-3629
Stevensville, MI. 49127 EMAIL: SALES@ALPHARESOURCES.COM

WWW.ALPHARESOURCES.COM

REFERENCE CARD: SC832 CONSUMABLES & SUPPLIES



You can place orders online — Visit us at WWW.ALPHARESOURCES.COM
Download certs, MSDS, obtain pricing, stock status, find new products, cross references and much more

CERTIFIED REFERENCE MATERIALS

COALS AND COKES

ALPHA#	LECO#	DESCRIPTION	%S
AR1720	(502-433)	COAL	0.29
AR1702	(502-433)	COAL	0.72
AR1704	(502-435)	COAL	1.01
AR1705	(502-436)	COAL	1.43
AR1728	(502-437)	COAL	2.95
AR1730	(502-438)	COAL	5.06
AR720	(767-759)	MET COKE	1.2
AR719		MET COKE	0.6
AR2712		PET COKE	0.4
AR2715		PET COKE	1.2
AR2720		PET COKE	4.0
AR2771		MET COKE	.6
AR744		PET COKE	2.5
AR756		PET COKE	5.3
AR1731		COAL	5.5
AR1732		COAL	6.0
AR1681		ULTRA LOW SULFUR COAL	0.00
AR1682		ULTRA LOW SULFUR COAL	0.022
AR1683		ULTRA LOW SULFUR COAL	0.049
AR1684		ULTRA LOW SULFUR COAL	0.101
AR1685		ULTRA LOW SULFUR COAL	0.143
AR732		MET COKE	0.59
AR733		MET COKE	0.60
AR734		MET COKE	0.76
AR1733		ANTHRACITE	0.55
AR1933		LIGNITE	0.61

OILS AND FUELS

ALPHA#	LECO#	DESCRIPTION	%S
AR2871	(502-424)	DIESEL OIL	0.01
AR2873	(502-425)	DIESEL OIL	0.03
AR2875	(502-426)	DIESEL OIL	0.05
AR2877	(502-427)	DIESEL OIL	0.1
AR2823	(502-428)	DIESEL OIL	0.5
AR2825	(502-429)	DIESEL OIL	1.0
AR2827	(502-430)	DIESEL OIL	1.9
AR2829	(502-431)	DIESEL OIL	3.0
AR2891	(502-389)	RESIDUAL OIL	0.1
AR2895	(502-390)	RESIDUAL OIL	0.5
AR2814	(502-391)	RESIDUAL OIL	1.0
AR2815	(502-392)	RESIDUAL OIL	2.0
AR2816	(502-393)	RESIDUAL OIL	3.0
AR2899	(502-394)	RESIDUAL OIL	4.5
AR2835	(502-421)	LUBE OIL	1.0
AR2839		LUBE OIL	3.0
AR2848		KEROSENE	0.5
AR2928		JP FUEL	0.1
AR2047		CRUDE OIL	1.1
AR6201		ULTRA LOW KEROSENE	0.0010
AR6207		ULTRA LOW KEROSENE	0.0020
AR6208		ULTRA LOW KEROSENE	0.0030
AR6209		ULTRA LOW KEROSENE	0.0040
AR6202		ULTRA LOW KEROSENE	0.0051
AR6210		ULTRA LOW KEROSENE	0.00635

ORES, LIMESTONES AND SOILS

ALPHA#	LECO#	DESCRIPTION	%C	%S
AR4005		ORE	1.42	1.41
AR4006		ORE	4.19	4.07
AR4007		ORE	7.27	3.26
AR4012		LIMESTONE	11.97	0.044
AR4013		LIMESTONE	2.93	0.020
AR4014		LIMESTONE	5.87	0.029
AR4022		LIMESTONE	7.00	0.145
AR4023		LIMESTONE	11.70	0.220
AR4024		LIMESTONE	11.72	0.418
AR4015		SOIL	1.18	0.12
AR4016		SOIL	2.24	2.08
AR4017		SOIL	0.50	0.44
AR4018		SOIL	0.102	0.100
AR4020		COMPOSITE SOIL	0.92	NA
AR4021		COMPOSITE SOIL	2.73	NA
KED1023		BORON CARBIDE	21.53	
KED1022		SYNTHETIC CATALYST	24.6	11.3
KED1023		SYNTHETIC CATALYST	14.2	5.7

CERTIFICATE OF ACCREDITATION

ANSI-ASQ National Accreditation Board/ACLASS
500 Montgomery Street, Suite 625, Alexandria, VA 22314, 877-341-3044

This is to certify that

Alpha Resources, Inc.
3090 Johnson Road
Stevensville, MI 49127

has been assessed by ACLASS
and meets the requirements of international standard

ISO/IEC 17025:2005

while demonstrating technical competence in the field(s) of

CALIBRATION

Refer to the accompanying Scope(s) of Accreditation for information regarding the types of calibrations to which this accreditation applies.

AT-1200
Certificate Number
Karl Brunner
ACLASS Approval
Certificate Valid 12/09/2011-01/04/2014
Version No. 004 Issued: 02/16/2012



This laboratory is accredited in accordance with the recognized International Standard ISO/IEC 17025:2005. This accreditation demonstrates technical competence for a defined scope and the operation of a laboratory quality management system (refer to joint ISO-ILAC-MRA Communique dated January 2009).

Alpha Resources Inc Phone: 800-833-3083
PO 199, 3090 Johnson Rd Fax: 269-465-3629
Stevensville, MI. 49127 EMAIL: SALES@ALPHARESOURCES.COM

WWW.ALPHARESOURCES.COM